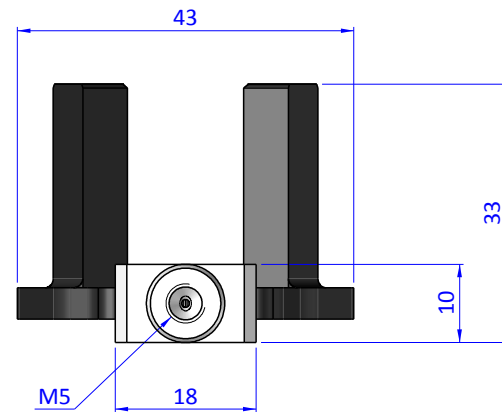
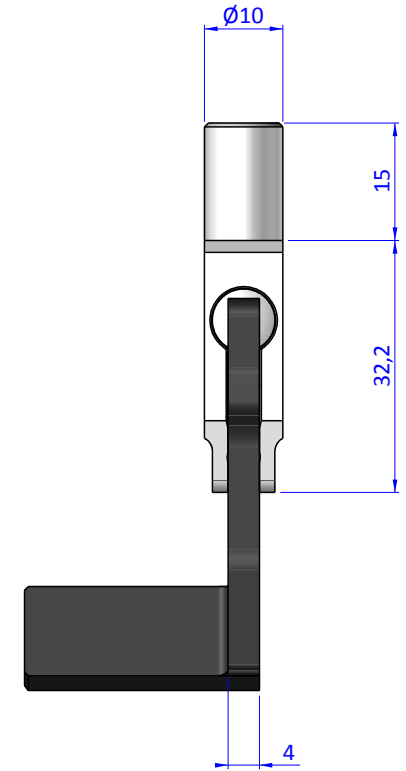
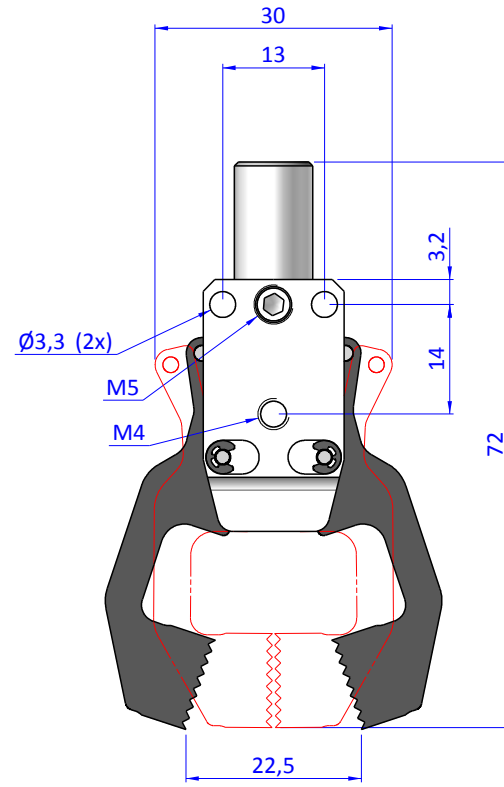
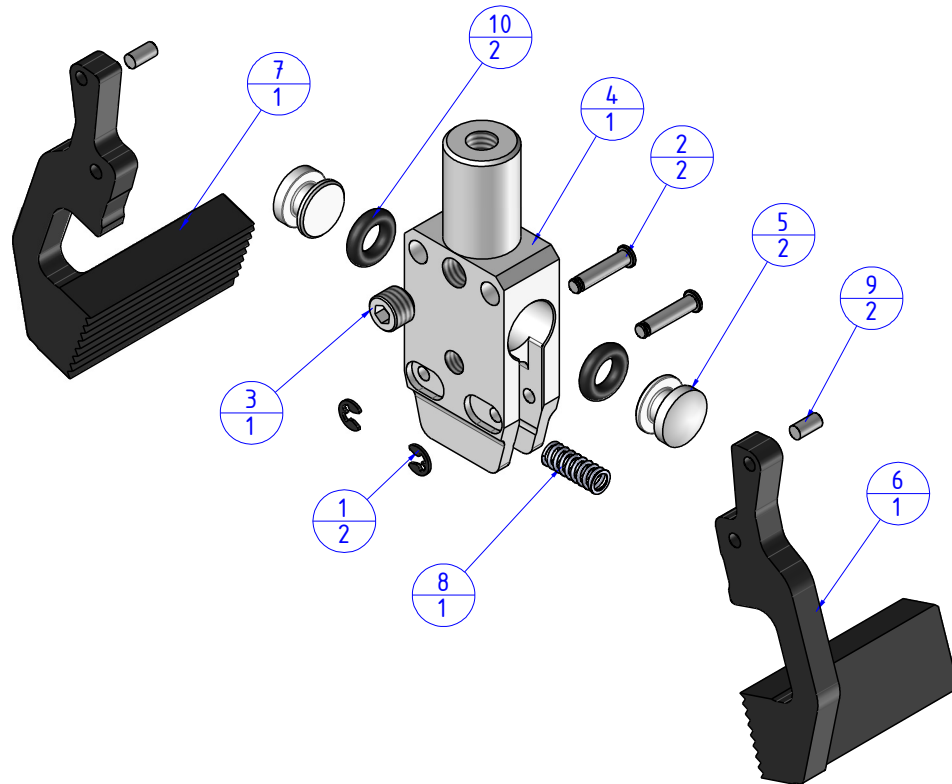



THE PROPERTY OF THE DRAWING IS ESTABLISHED BY LAW. IT IS FORBIDDEN TO PRODUCE OR SHOW IT TO THIRD PART, WITHOUT A WRITTEN AGREEMENT.

Item	Name	Q.ty
1	A.ELA.RA1.5	2
2	SP.2x10SS	2
3	GR.5X4	1
4	GZA.10.08.1	1
5	GZA.10.08.2	2
6	GZA.10.08.3.AHLD	1
7	GZA.10.08.3.AHLS	1
8	M.MP13X3.5D.5	1
9	GZA.10.08.9	2
10	ORM.4x2	2



Format A3

UNI 936-76

 FPS FPSERVICES AUTOMATION		DESIGNED FROM		REVIEW
		FPS Automation		A
GENERAL TOLERANCE		DATE	WEIGHT	
UNI - ISO 2768		21/03/2019	0,030kg	
CLASSE F		CODE		
		CA.GZA.10.08.AHL		CA.GZA.10.08.AHL